

# Remodel LED Flangeless Adjustable Housing

E3RL\_AN- 1.1

## VISUAL COMFORT & Co.

### ARCHITECTURAL COLLECTION

#### GENERAL PRODUCT INFORMATION



This product is suitable for remodel and new construction applications.

This product is suitable for damp locations.

This product is approved for use at any height above the finished floor.

Do not install insulation within 76 mm (3 in) of any part of this luminaire.

This product can be dimmed with a standard electronic dimmer.

A typical installation is shown. Specific installation must be in accordance with local electrical codes. Read all instructions thoroughly before installing.



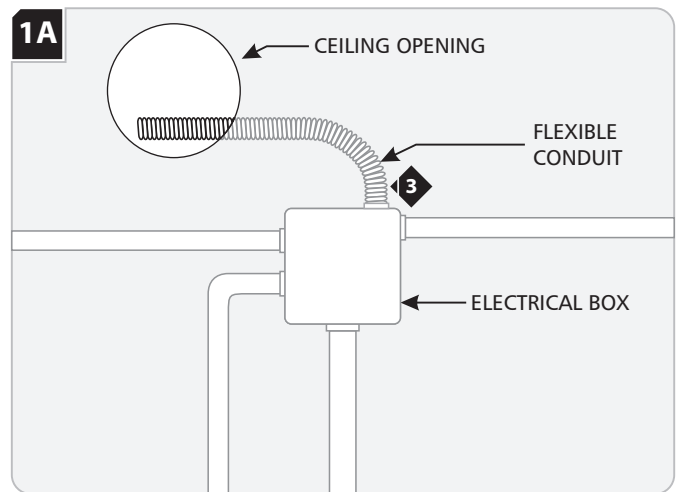
**NOTE:** Choose an installation location with enough clearance to allow tilt adjustability.

**SAVE THESE INSTRUCTIONS!**

### Prepare for Installation

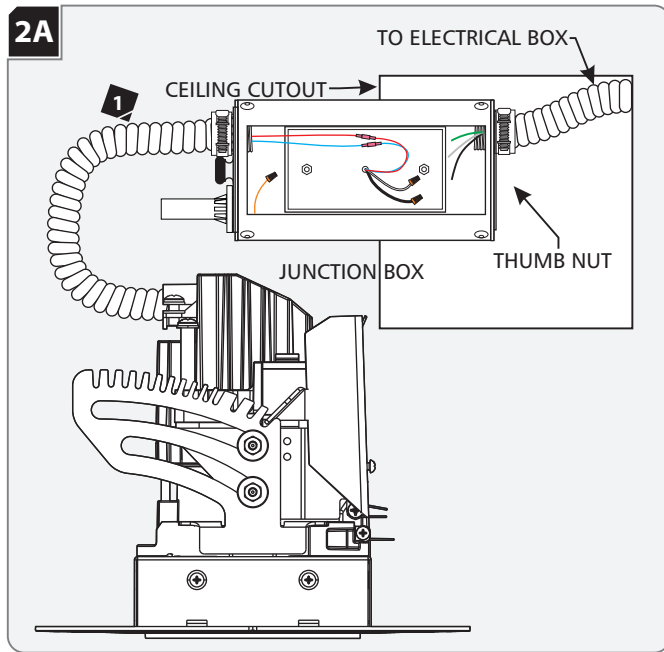
CEILING CUTOUT	CEILING THICKNESS	
	Under 1"	Above 1"
Round Flanged	∅ 4"	N/A
Round Flangeless	∅ 4"	∅ 5"
Square Flanged	□ 4"	□ 4"
Square Flangeless	□ 4"	□ 5"

- 1 Locate any electrical boxes and conduit already present in the ceiling.
- 2 Mark the center of the desired fixture location and follow the table above for ceiling cut out dimensions. Take care not to damage any existing electrical boxes or conduit.



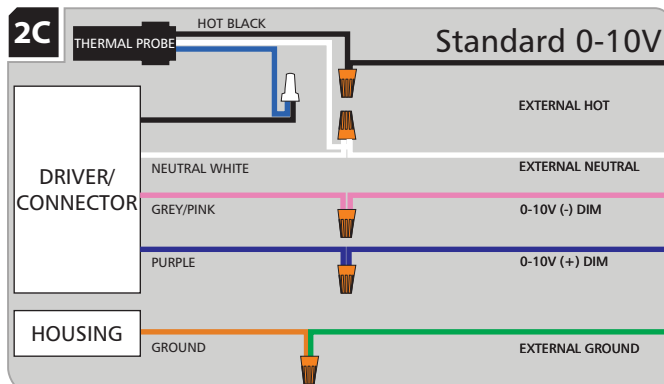
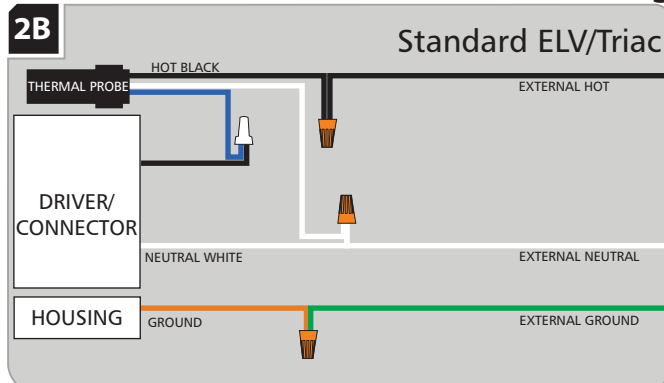
- 3 Attach flexible conduit (not included) to an electrical box and feed the conduit out of the hole.

# Connect Power to the Fixture



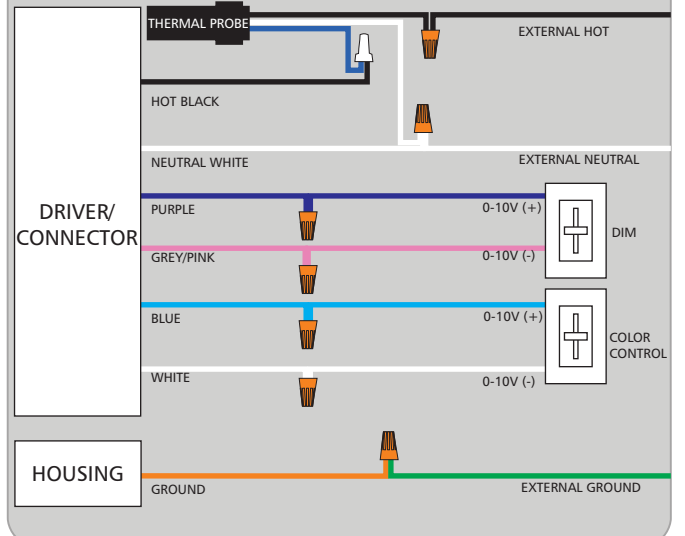
- 1 Loosen the thumbnut and remove the cover from the junction box.
- 2 Attach flexible conduit (installed in section 1A) to the junction box.
- 3 Power the fixture using the following wiring diagrams according to the driver included with the fixture.

## Standard Driver Wiring

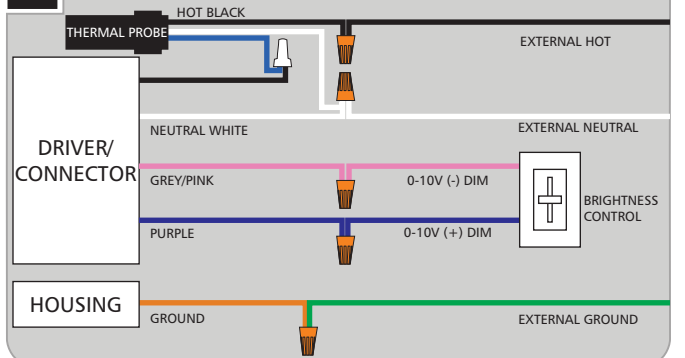


## Lumenetix Wiring

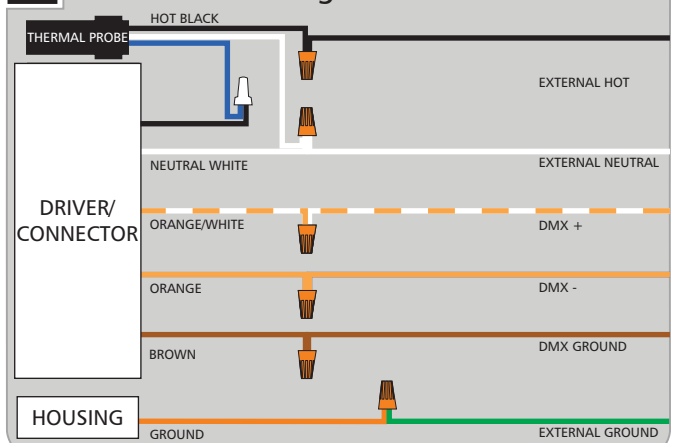
### 2D Lumenetix Programmable White 0-10V



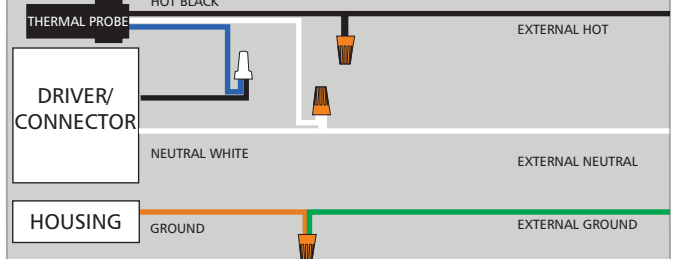
### 2E Lumenetix Warm Dim 0-10V



### 2F Lumenetix Programmable White DMX

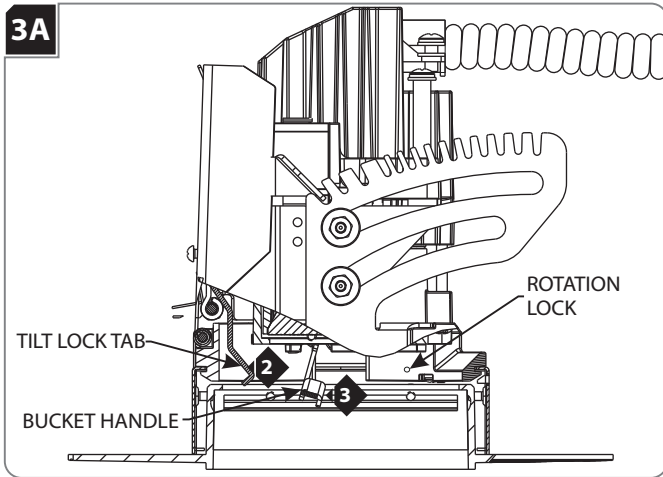


### 2G Lumenetix Programmable White Bluetooth or LCT Remote

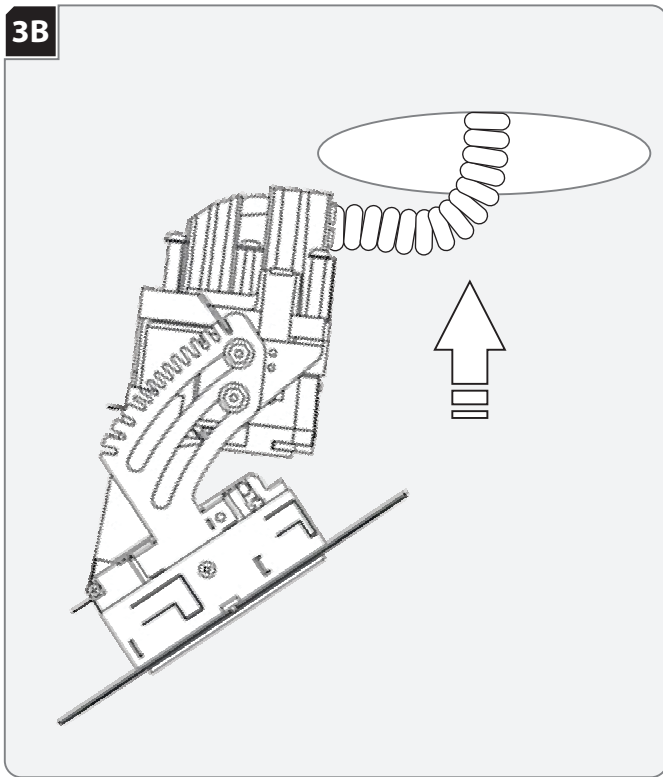


Note: Tie PURPLE, GREY, BLUE and WHITE 0-10V wires together.  
Download ARAYA app and pair to module(s) for control or use LCT Remote.

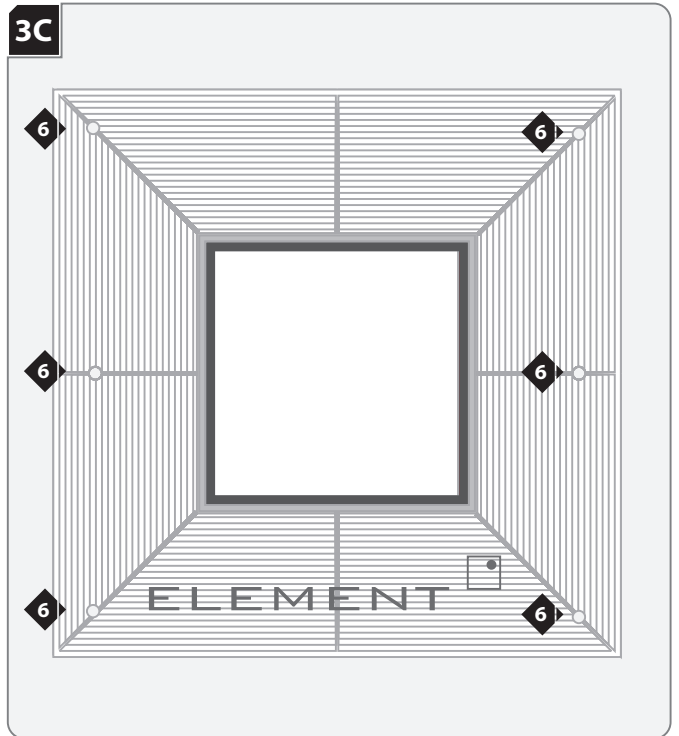
# Install the Fixture



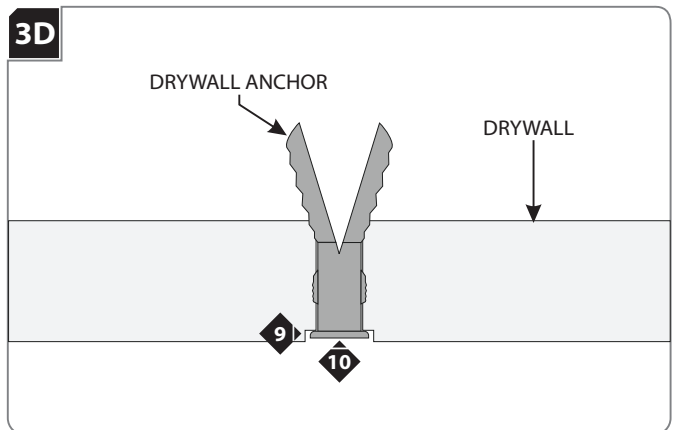
- 1 Pre-Tilt Fixture 20-40 degrees (Depending on ceiling cutout) to prepare for entry into ceiling aperture
- 2 To unlock tilt, pull tilt lock tab towards optic.
- 3 For improved control during tilt action, use bucket handle in conjunction with tilt lock tab during adjustment.



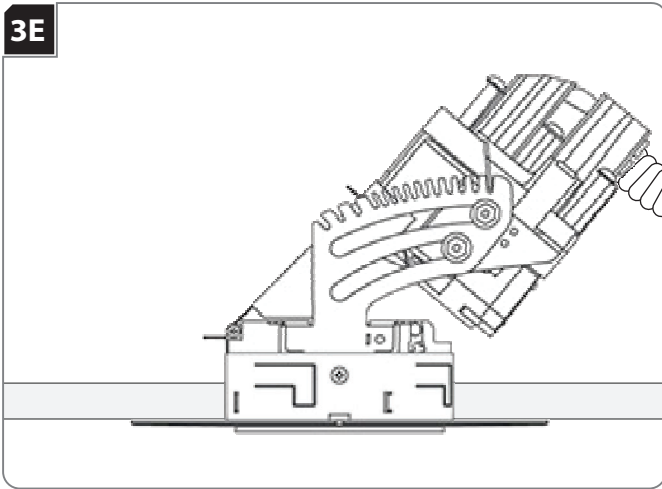
- 4 Place the junction box into the ceiling.
- 5 Slide the housing into the hole in the ceiling.



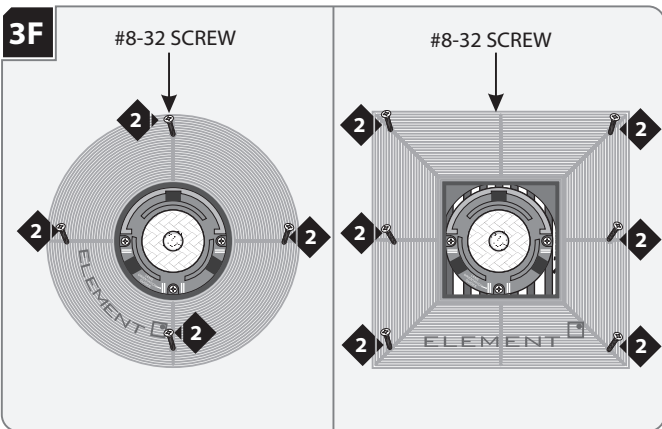
- 6 Use a string or laser to align plaster plate, mark the location of the four anchor points.
- 7 Remove the fixture from the ceiling.



- 8 Drill a pilot hole for the drywall anchor at the marked locations.
- 9 Bore out a slight inset to allow for the head of the drywall anchor to recess into the ceiling.
- 10 Tap drywall anchor into the ceiling.

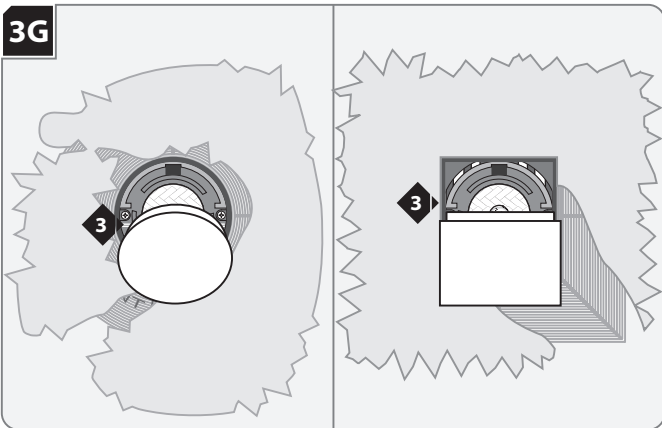


1 Insert the fixture into the ceiling.



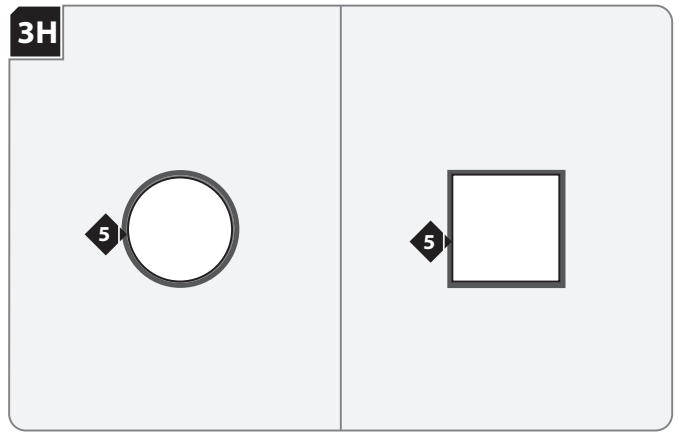
2 Secure the plaster ring in place by screwing the four provided flat head #8-32 screws into the four previously placed drywall anchors.

**NOTE:** Do not overtighten the screws! Overtightening may bend the plaster ring, causing the plaster surface to come away from the drywall.



3 Plug the trim holder with the provided dust shield.

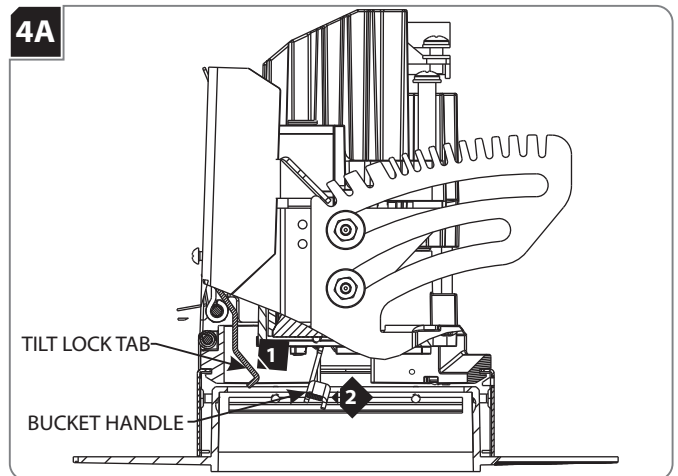
4 Properly plaster onto the plaster ring and drywall.



5 Finish around the trim to match drywall.

## Adjust the Tilt

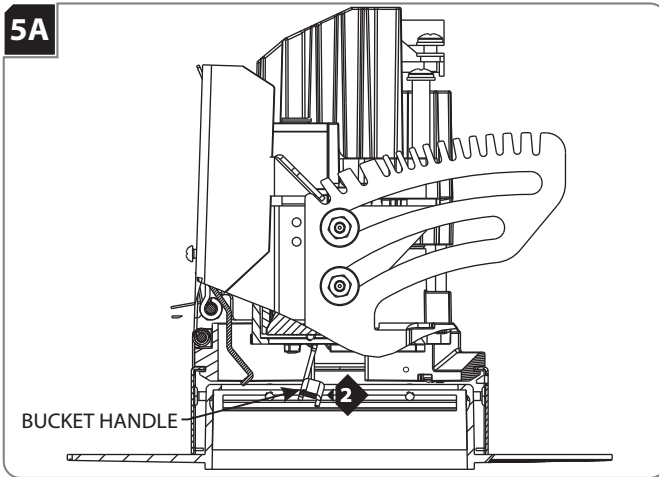
**NOTE:** Make sure the lamp housing has enough clearance prior to tilt adjustment.



1 To unlock tilt, pull tilt lock tab towards optic.

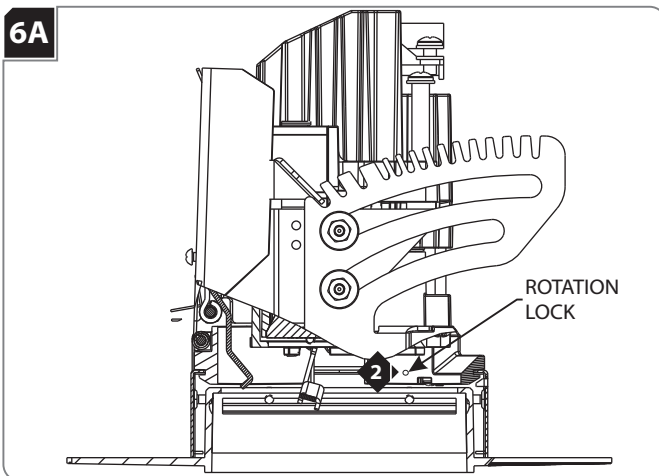
2 For improved control during tilt action, use bucket handle in conjunction with tilt lock tab during adjustment.

## Adjust High-Low



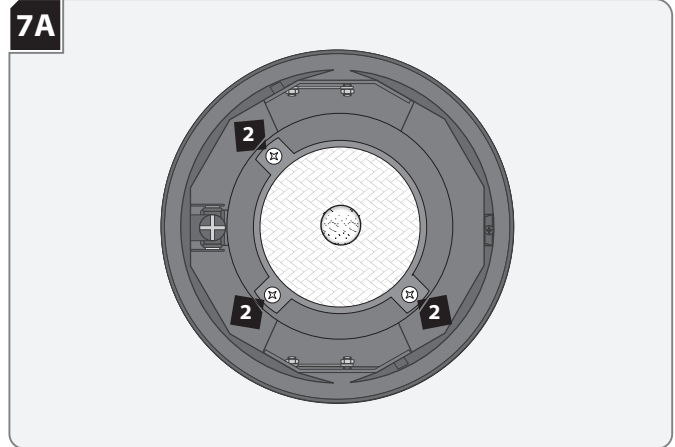
- 1 For high position, push up on the center of the LED optic.
- 2 To return to low position, grab the bucket handle and pull down.

## Adjust Rotation



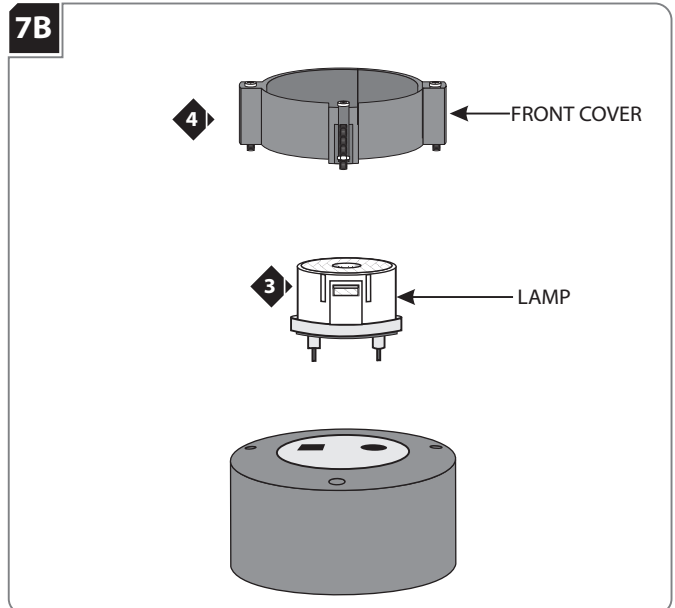
- 1 Rotate fixture to desired location.
- 2 Lock Rotation by tightening set screw.

## Replacing the Lamp



**CAUTION:** To reduce the risk of a burn or electric shock during relamping, disconnect the power to the fixture.

- 1 Remove the trim from the fixture.
- 2 Loosen all three screws from the front cover and pull the LED lamp out.

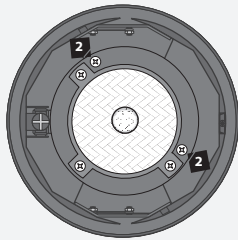


Use **ONLY 18 WATT** proprietary Element Lighting LED lamp.

- 3 Line up the square and round pegs in the new lamp with the holes in the heatsink and push the new lamp into place.
- 4 Replace the front cover.
- 5 Reinstall the trim.

# Replacing the Driver

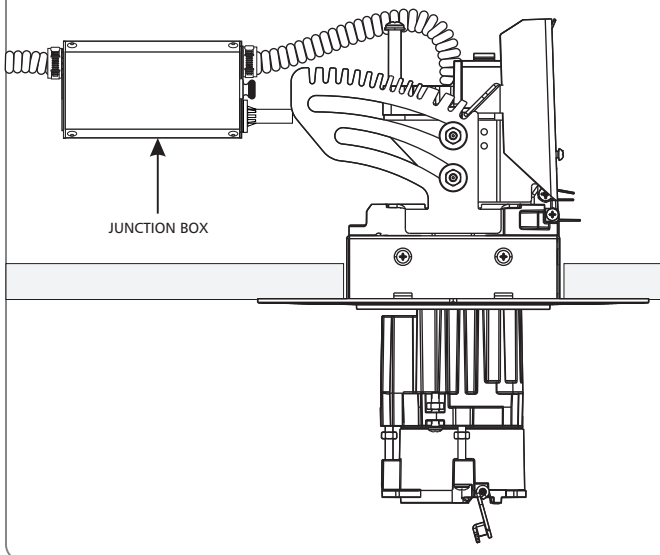
8A



**CAUTION:** To reduce the risk of a burn or electric shock during the driver replacement, disconnect the power to the fixture.

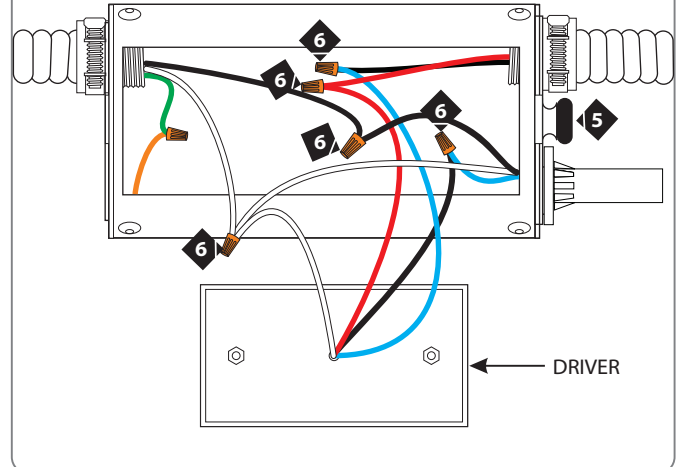
- 1 Pull out the trim.
- 2 Adjust the tilt so the fixture points straight down.
- 3 Loosen the two screws marked in the diagram.

8B



- 4 Pull the heatsink, module and driver through the aperture.

8C



- 5 Loosen the thumb nut and remove the cover from the Junction box.
- 6 Release the driver by loosening the wire nuts which are connected to its wires. Take note of the wire colors and corresponding connections.
- 7 Install the new driver.
- 8 Place the wires and wire nut connections properly into the junction box and replace the cover.
- 9 Reinstall the fixture and trim. (See figure 3A)

**Notes:**

